



PLANETARY MIXER BE-40

Floorstanding unit with 40 l / qt bowl.



DYNAMIC PREPARATION
PLANETARY MIXERS

SALES DESCRIPTION

“C” models, complete with attachment drive for accessories.

“I” models with stainless steel column.

Please note: BE-40 requires a minimum electrical supply of 16 amps.

Professional food mixer for preparing dough (bread, cake...), egg whites (soufflés, meringue...), sauces (mayonaisse...) and minced meat mixtures.

- ✓ Powerful three-phase motor controlled by highly reliable electronic speed variator technology, which enables the mixers to be connected to a single-phase electrical mains supply.
- ✓ 0-30 minute electronic timer and continuous operation option.
- ✓ Acoustic alarm at end of cycle.
- ✓ Electronic speed control.
- ✓ Equipped with a safety guard.
- ✓ Lever operated bowl lift.
- ✓ Double micro switch for bowl position and safety guard.
- ✓ Safeties off indicator.
- ✓ Reinforced waterproofing system.
- ✓ Stainless steel legs.
- ✓ Strong and resistant bowl.
- ✓ Easy to maintain and repair.
- ✓ UNE-EN 454/2015 compliant.

INCLUDES

- ✓ Stainless steel bowl.
- ✓ Beater spatula for soft dough.
- ✓ Spiral hook for heavy dough.
- ✓ Balloon whisk.

OPTIONAL

- Attachment drive for accessories.
- Stainless steel column.
- 20 l / 20 qt reduction equipment (bowl + tools).
- Bowl transport trolley.
- Base kit with wheels for ease of moving and storing the mixer.

ACCESSORIES

- Vegetable preparation attachment CR-143
- Meat mincer attachment HM-71
- Potato masher attachment
- P-132
- Bowls for planetary mixers
- Reduction equipments
- Bowl transport trolleys
- Base kit with wheels

SPECIFICATIONS

Bowl capacity: 40 l
 Bowl dimensions: 422 mm x 367 mm
 Capacity in flour (60% water): 12 kg
 Timer (min-max): 0' - 30'
 Tool speed: 85 - 348 rpm
 Planetary speed: 45 - 186 rpm
 Total loading: 1400 W

External dimensions (W x D x H)

- ✓ Width: 586 mm
- ✓ Depth: 777 mm
- ✓ Height: 1202 mm

Net weight: 124 kg
 Noise level (1m.): 75 dB(A)
 Background noise: 32 dB(A)

AVAILABLE MODELS

1500240	Food mixer BE-40 230/50-60/1
1500246	Food mixer BE-40I 230/50-60/1
1500241	Food mixer BE-40C 230/50-60/1
1500247	Food mixer BE-40 400-440/50-60/3
1500248	Food mixer BE-40C 400-440/50-60/3
1500249	Food mixer BE-40 208-240/50-60/1

* Ask for special versions availability



product sheet
updated 30/01/2024

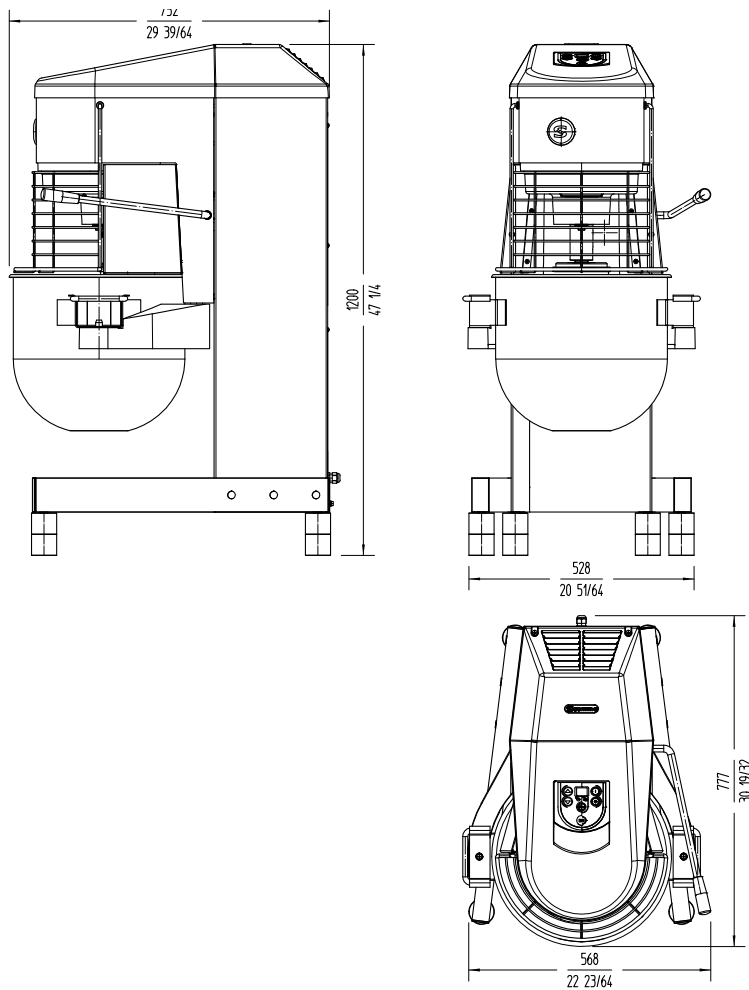


PLANETARY MIXER BE-40

Floorstanding unit with 40 l / qt bowl.



DYNAMIC PREPARATION
PLANETARY MIXERS



 **sammic** | www.sammic.com
Food Service Equipment Manufacturer

Polígono Basarte, 1. phone +34 943 15 72 36
20720 Azkoitia, Spain sales@sammic.com



Project	Date
Item	Qty
Approved	

product sheet
updated 30/01/2024