



PASS-THROUGH DISHWASHER UX-120

Rack size 500 mm x 500 mm and door clearance 430 mm.



WARE WASHING
PASS-THROUGH DISHWASHERS



SALES DESCRIPTION

- ✓ Sani-Control: guaranteed disinfection.
- ✓ Exclusive Hydroblade™ washing arms: maximum effectiveness.
- ✓ 3-stage filtering system.

Sani-Control guarantee

- ✓ GUARANTEED DISINFECTION in compliance with standard DIN 10534.
- ✓ THERMAL LOCK function: Ensures that rinsing will be carried out at the ideal temperature to disinfect the dishes.

New recessed bodywork

- ✓ Ergonomic design with rounded corners to prevent the accumulation of dirt and facilitate cleaning.
- ✓ Compact tank volume (50% water saving compared to the previous range).

Hydroblade™ washing arms

- ✓ Redesigned nozzles for greater washing performance.
- ✓ The “monoblock” design delivers durability and resistance to impacts.
- ✓ 30% savings in water consumption during rinsing compared to the previous range.

3-stage filter system: surface, tank and extraction

- ✓ Keeps the washing water in optimal conditions to maintain constant washing performance.

Designed to last

- ✓ “Flow” opening mechanism: allows the hood to be raised with less effort
- ✓ High load capacity 43 cm: suitable for GN 1/1 and Euronorm
- ✓ Stainless steel surface filters for greater stability and resistance during intensive use

Premium warewashing

- ✓ Soft start: progressive start-up of the washing pump to protect fragile items.
- ✓ Colour LCD Display: intuitive communication of the machine status by means of messages, colour codes and icons.
- ✓ Dedicated cycles: selection of the ideal washing programme using icons.
- ✓ Adaptable: allows the main parameters of the machine to be adjusted to the needs of each user.
- ✓ TEMPERATURE DISPLAY
- ✓ Wash Plus+ function: increases the intensity of the wash cycle for greater cleaning performance
- ✓ Control panel with IP65 humidity protection.

You will never WASH ALONE

- ✓ Tech-Services: our team of technicians will help you so that your machine is always ready for use.
- ✓ Design Services: tell us what your needs are and we will advise you.
- ✓ 60 years of experience and know-how at your disposal.

INCLUDES

- ✓ Rinse aid pump.
- ✓ 1 glasses basket.
- ✓ 1 mixed basket (plates).
- ✓ 1 cutlery basket.

OPTIONAL

- Detergent dosing kit.
- Drainage pump with level sensor. Proactive tank water renewal.

ACCESSORIES

- Tables for pass-through dishwashers
- Manual water softeners
- Automatic water softeners
- 500 x 500 mm baskets
- Inserts & supplements
- Central sorting tables
- Double connection central sorting table
- Prewashing tables for pass-through and rack conveyor dishwashers
- Connecting tables for pass-through dishwashers and rack conveyors
- Reverse osmosis devices OS-140
- Dosing equipments for AX / UX hood-type dishwashers
- External control panel for UX pass-through dishwashers

SPECIFICATIONS

Basket dimensions: 500 mm x 500 mm
Useful height: 430 mm

Cycles: 6
Cycle duration: 60 / 90 / 100 / 150 / 210"
Production baskets / hour: 60 / 40 / 36 / 24 / 17

Boiler capacity: 12 l
Wash tank capacity: 25 l

Consumption and savings

- ✓ Water consumption / cycle: 2,8 l
- ✓ Automatic saving mode in: 25'
- ✓ Automatic switch-off: 120'

Energi consumption

Energy consumption per cycle: 0,22 kWh
Initial tank filling consumption: 1,07 kWh

Loading__

- ✓ Pump: 1000 W / 1.33 Hp
- ✓ Tank: 2500 W



product sheet
updated 16/04/2024



PASS-THROUGH DISHWASHER UX-120

Rack size 500 mm x 500 mm and door clearance 430 mm.



- ✓ Boiler: 9000 W
- ✓ Total loading: 10000 W

760 x 860 x 1530 mm
Gross weight: 115 kg

External dimensions (W x D x H)

- ✓ Width: 650 mm (Wide with handle: 725 mm)
- ✓ Depth: 755 mm (Bottom with handle: 835 mm)
- ✓ Height: 2000 mm / 1525 mm

Net weight: 104 kg

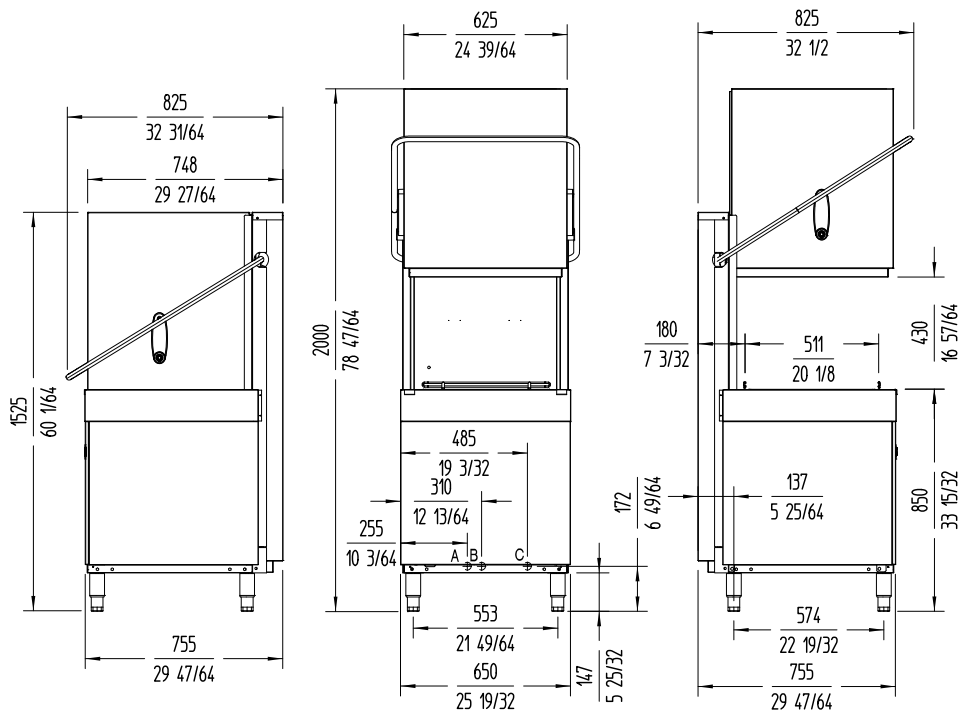
Wash temperature: 65°C
Rinse temperature: 87°C

Crated dimensions

AVAILABLE MODELS

1303340	UX-120 400/50/3N
1303343	UX-120 220/60/3
1303344	UX-120B 400/50/3N
1303347	UX-120B 220/60/3

* Ask for special versions availability



A: Entrada de agua 3/4" GAS.
B: Tubo de desague Ø30 mm.
C: Cable conexión.

WARE WASHING
PASS-THROUGH DISHWASHERS

sammic | www.sammic.com
Food Service Equipment Manufacturer

Polígono Basarte, 1. phone +34 943 15 72 36
20720 Azkoitia, Spain sales@sammic.com



Project _____ Date _____

Item _____ Qty _____

Approved _____

product sheet
updated 16/04/2024