



VACUUM SEALER SU-604

Floorstanding unit. 40 m³/h. 413 + 656 mm.



FOOD PRESERVATION AND SOUS-VIDE
COMMERCIAL VACUUM PACKING MACHINES

SALES DESCRIPTION

Two sealing bars 413 + 656 mm.
40 m³/h Busch vacuum pump.
Vacuum controlled by sensor.

- ✓ Powered by Busch.
- ✓ Vacuum controlled by sensor.
- ✓ Vacuum PLUS.
- ✓ LCD colour screen: all information at a glance.
- ✓ Backlit touch keyboard.
- ✓ Programmable: 99-programme memory. Blocking option.
- ✓ "Pause" button to marinate food.
- ✓ Phased vacuum programme.
- ✓ Detection of the evaporation of liquids.
- ✓ Double seal.
- ✓ Cordless sealing bar.
- ✓ Bag sealing program.
- ✓ Progressive decompression.
- ✓ Vac-Norm ready with automatic decompression.
- ✓ Stainless steel body and chamber.
- ✓ Damped transparent lid.
- ✓ Dry-oil programme for drying the pump.
- ✓ Working hours counter for oil changes.
- ✓ Safety system with protection against vacuum failure.
- ✓ NSF-listed model.

INCLUDES

- ✓ Busch pump.
- ✓ Sensor controls.
- ✓ Programmable.
- ✓ Bluetooth connectivity.
- ✓ Vacuum plus: up to 10 seconds of extra vacuum pull.
- ✓ Soft air function.
- ✓ Clear methacrylate lid.
- ✓ Pause function.
- ✓ Liquid detection system.
- ✓ Dry oil cycle.
- ✓ NSF approved.
- ✓ Filling plate.

OPTIONAL

- Inert gas.
- Printer.
- Vacuum packing bags.
- External vacuum kit for Vac-Norm, containers and accessories.
- Bag cutting kit.
- Support for liquid packaging.
- Additional filling plates.

ACCESSORIES

- Bag cutting kits
- Filling plates
- Liquid insert plates
- Vac-norm external vacuum kit
- Vac-norm containers
- Smooth bags for vacuum packing
- Thermal labels for CG2 / RB printer
- RB desktop printer for SU vacuum packing machines
- Thermal transfer labels for RB printer
- Vacuum packing machines maintenance kits

SPECIFICATIONS

Pump capacity: 40 m³/h
Pump capacity (60 Hz): 48 m³/h
Bar length: 413 + 656 mm
Total loading: 1100 W
Vacuum pressure (maximum): 0.5 mbar

Internal dimensions

- ✓ Width: 672 mm
- ✓ Depth: 481 mm
- ✓ Height: 200 mm

External dimensions (W x D x H)

- ✓ Width: 740 mm
 - ✓ Depth: 566 mm
 - ✓ Height: 997 mm
- Net weight: 145 kg
Noise level (1m.): 75 dB(A)
Background noise: 32 dB(A)
Crated dimensions



SAMMIC, S.L. · Basarte, 1
20720 AZKOITIA (Gipuzkoa) · SPAIN

product sheet
updated 18/06/2025



VACUUM SEALER SU-604

Floorstanding unit. 40 m³/h. 413 + 656 mm.

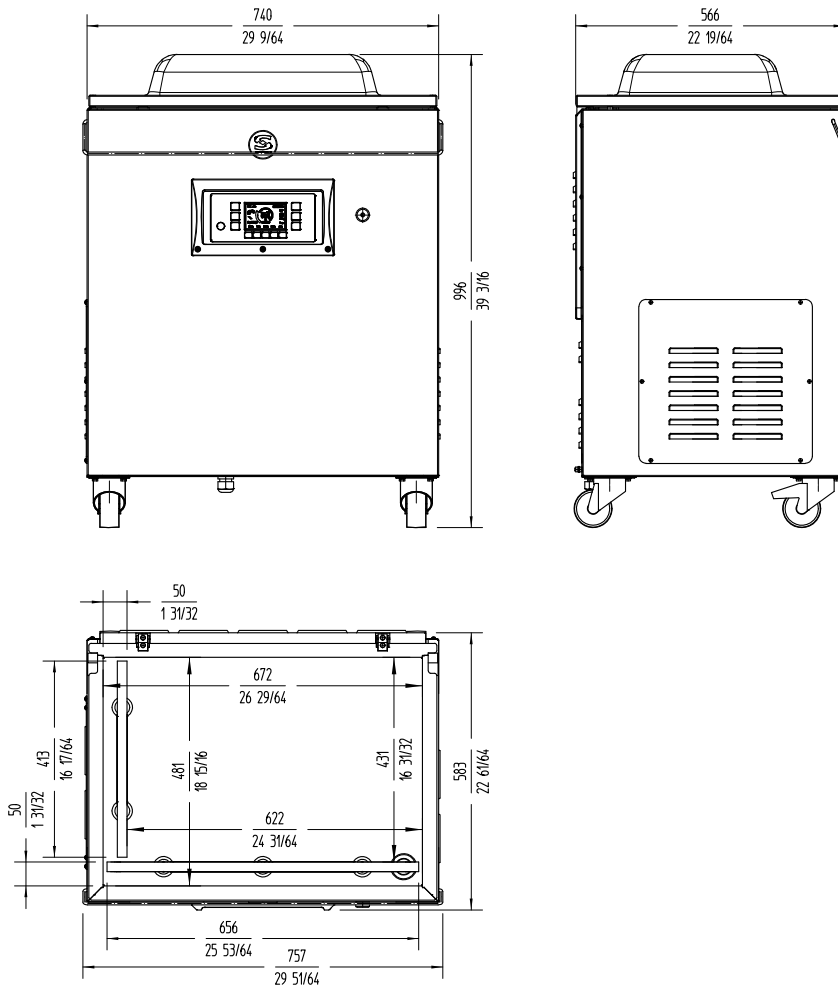


670 x 830 x 1200 mm
Gross weight: 182.8 kg

AVAILABLE MODELS

1140814	SU-604P 230-400/50/3N
1140815	SU-604GP 230-400/50/3N
1140826	SU-604P 208-240/60/3
1140828	SU-604P 380/60/3N
1140827	SU-604GP 208-240/60/3

* Ask for special versions availability



FOOD PRESERVATION AND SOUS-VIDE
COMMERCIAL VACUUM PACKING MACHINES

sammic | sammic.asia
Food Service Equipment Manufacturer

asia@sammic.com vietnam@sammic.com
phone: +65 67480511 phone: +84 (0) 862493814

3018 Ubi Road 1 thailand@sammic.com
408710 SINGAPORE phone: +66 (0) 993425561



Project	Date
Item	Qty
Approved	

product sheet
updated 18/06/2025