



SOUP KETTLE OS-10

Soup kettle to keep the temperature of soups or liquids. Black enamel finish.



SNACK BAR-PIZZERIA
SOUP KETTLES



SALES DESCRIPTION

- ✓ Wet heat only.
- ✓ Black finish.

SPECIFICATIONS

Dry heat: no

Bain-marie: yes

Capacity: 10 l

Total loading: 450 W

Maximum temperature: 95°C

Electrical supply: 230 V / 50-60 Hz / 1~

External dimensions (W x D x H)

✓ Width: 340 mm

✓ Depth: 340 mm

✓ Height: 340 mm

Net weight: 5.5 kg

Crated dimensions

340 x 340 x 395 mm

Gross weight: 5.62 kg

AVAILABLE MODELS

5200012 Soup kettle OS-10 230/50-60/1

* Ask for special versions availability



product sheet
updated 11/04/2025

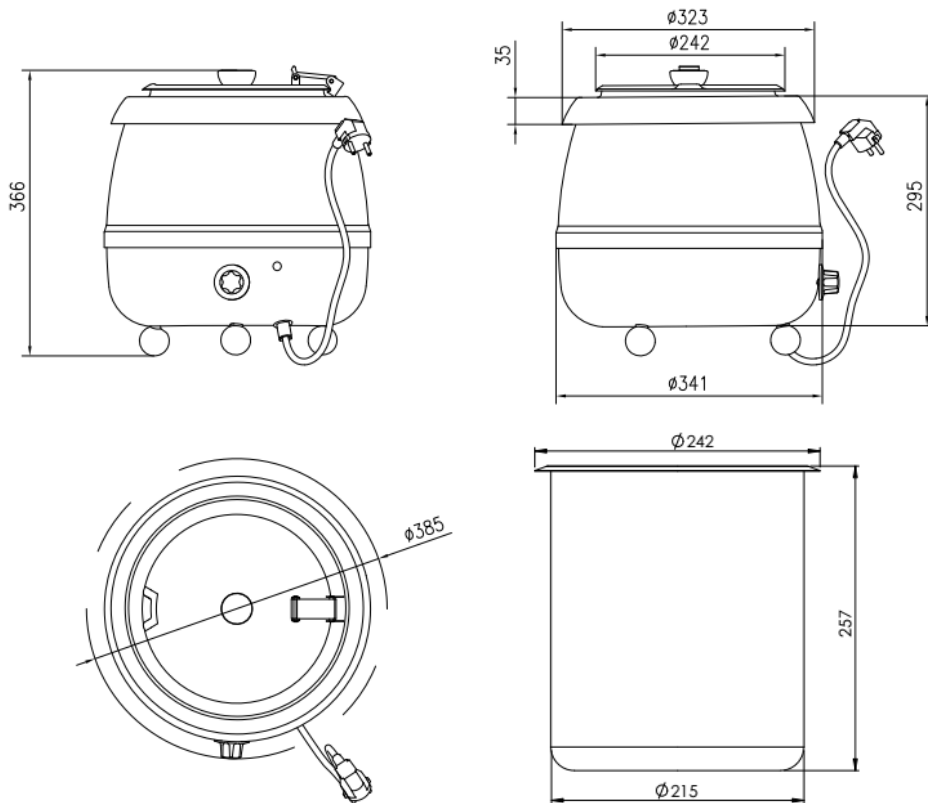


SOUP KETTLE OS-10

Soup kettle to keep the temperature of soups or liquids. Black enamel finish.



SNACK BAR-PIZZERIA
SOUP KETTLES



sammic | sammic.com
Food Service Equipment Manufacturer

Polígono Basarte, 1. phone +34 943 15 72 36
20720 Azkoitia, Spain sales@sammic.com



Project	Date
Item	Qty
Approved	

product sheet
updated 11/04/2025