



PLANETARY MIXER BM-5E

Table-top model with 5 l / qt bowl.



Noise level (1m.): <80 dB(A)
Background noise: 45 dB(A)

Crated dimensions

360 x 430 x 565 mm
Gross weight: 17 kg

AVAILABLE MODELS

1500180 Food mixer BM-5E 230/50-60/1

1500185 Food mixer BM-5E 120/60/1

* Ask for special versions availability

DYNAMIC PREPARATION
PLANETARY MIXERS

SALES DESCRIPTION

Designed for light duty use.

- ✓ Professional food mixer for preparing dough (bread, cake...), egg whites (soufflés, meringue...), sauces (mayonnaise...) and minced meat mixtures.
- ✓ Equipped with an extractible safety guard.
- ✓ Continuous variable electronic speed control.
- ✓ Lever operated bowl lift.
- ✓ Double micro switch for bowl position and safety guard.
- ✓ NSF-International certified appliance (complying with Hygiene, Cleaning and Food Material regulations)

INCLUDES

- ✓ Stainless steel bowl.
- ✓ Beater spatula for soft dough.
- ✓ Spiral hook for heavy dough.
- ✓ Balloon whisk.

ACCESSORIES

- Bowls for planetary mixers

SPECIFICATIONS

Bowl capacity: 5 l

Capacity in flour (60% water): 1 kg

Tool speed: 98 - 455 rpm

Planetary speed: 40 - 187 rpm

Total loading: 300 W

External dimensions (W x D x H)

✓ Width: 310 mm

✓ Depth: 382 mm

✓ Height: 537 mm

Net weight: 13.7 kg



product sheet
updated 30/01/2024

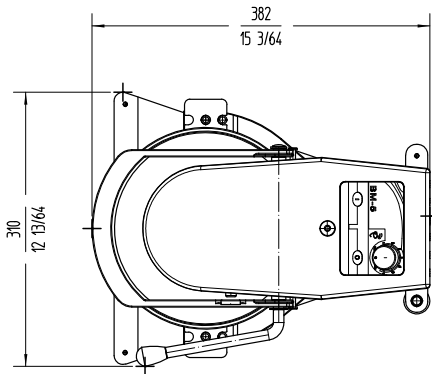
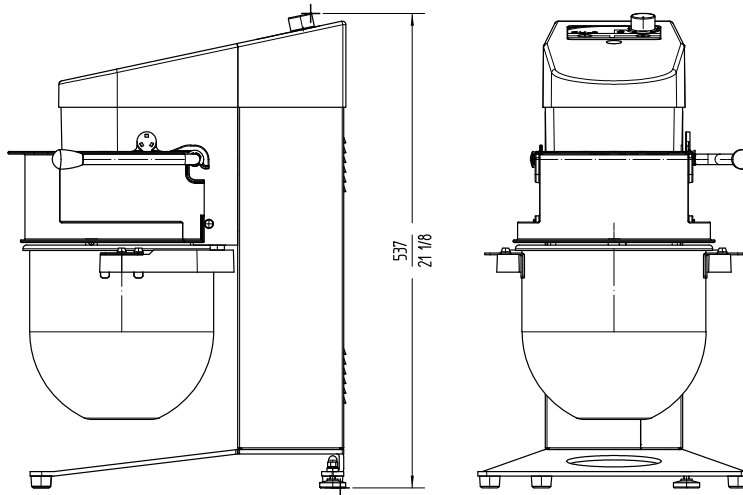


PLANETARY MIXER BM-5E

Table-top model with 5 l / qt bowl.



DYNAMIC PREPARATION
PLANETARY MIXERS



sammic | www.sammic.com
Food Service Equipment Manufacturer

Polígono Basarte, 1. phone +34 943 15 72 36
20720 Azkoitia, Spain sales@sammic.com



Project	Date
Item	Qty
Approved	

product sheet
updated 30/01/2024