



SALAD SPINNER ES-200

Capacity per cycle: 12 kg / 26 lb.



SALES DESCRIPTION

- ✓ Fast, sleek, quiet, user-friendly, safe, smooth running commercial salad spinner.
- ✓ Designed to efficiently dry up to 12 kg / 26 lb of salad per cycle at a maximum speed of 900 rpm.
- ✓ Portable. Equipped with locking wheels. Cycle memory. 2-speed-appliance.

High production with full warranty

- ✓ Dry **lettuce and other vegetables** in 1-3 minutes.
- ✓ **High speed** (900 rpm) and productivity.
- ✓ Guaranteed product **quality**.

Sturdy and reliable

- ✓ Equipped with **powerful three-phase motors** controlled by a highly reliable electronic speed variator. This enables the salad dryers to be connected to a single-phase electrical mains supply.
- ✓ Highest quality **stainless steel** body and basket. The stainless steel basket with aluminium base offers durability and stability over the competition.
- ✓ Transparent, heavy-duty lid for ease of control, equipped with a self-opening mechanism and safety device.

Advanced features

- ✓ **User friendly** control panel with **advanced options** like cycle selection.
- ✓ The unique **Vibration Control System** automatically controls the load distribution prior to initiation.
- ✓ The **motor braking** enables fast and smooth cut-off.
- ✓ All ES commercial salad dryers are equipped with **braking castors**. This allows maximum comfort in the workplace, providing stability during operation and ease of movement for cleaning & storage.

More images

Do you want to see more images?

Salad spinners

INCLUDES

- ✓ Castors with brake.
- ✓ Stainless steel drying basket.

OPTIONAL

- Additional stainless steel drying basket.

ACCESSORIES

- Stainless steel basket set

SPECIFICATIONS

Capacity per load: 26 lb
 Basket volume: 20 gal
 Drainer hourly production: 500 lb - 1600 lb
 Timer (min-max): 60" - 120" - 180"
 Motor speed: 900 rpm
 Total loading: 0.75 Hp
 Electrical supply: 120V / 50-60 Hz / 1~ (5 A)

Basket dimensions: 14.65" x 18.3"

External dimensions (W x D x H)

- ✓ Width: 21.3"
- ✓ Depth: 29.5"
- ✓ Height: 32.1"

Net weight: 115 lb

AVAILABLE MODELS

1000710 Salad drier ES-200 230/50-60/1

1000712 Salad drier ES-200 120/50-60/1

* Ask for special versions availability

DYNAMIC PREPARATION
COMMERCIAL SALAD SPINNERS



product sheet
updated 02/12/25

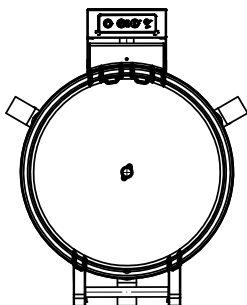
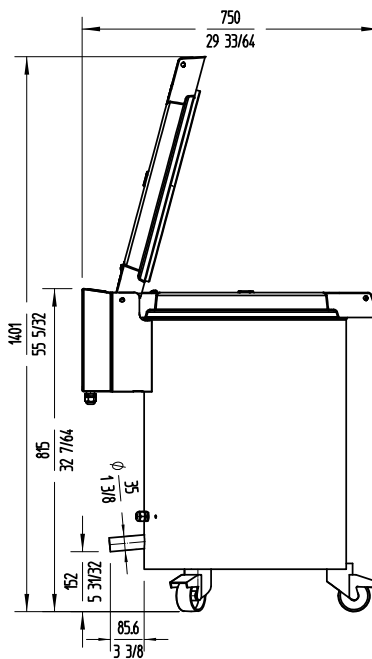
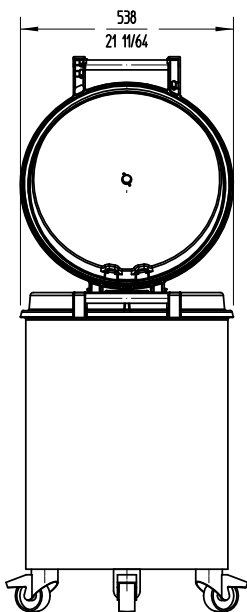


SALAD SPINNER ES-200

Capacity per cycle: 12 kg / 26 lb.



DYNAMIC PREPARATION
COMMERCIAL SALAD SPINNERS



sammic | www.sammic.us
Food Service Equipment Manufacturer

usa@sammic.com
1225 Hartrey Avenue
60202-1056 Evanston, IL

phone +1 (224) 307-2232
toll free +1 844 275 3848



Project	Date
Item	Qty
Approved	

product sheet
updated 02/12/25