



COMMERCIAL ORANGE JUICER ECM

Hand-operated citrus juice squeezer.



SNACK BAR-PIZZERIA
COMMERCIAL ORANGE JUICERS



AVAILABLE MODELS

3420030	Citrus juice extractor ECM 230/50/1
3420031	Citrus juice extractor ECM 120/60/1
3420032	Citrus juice extractor ECM 220/60/1
3420038	Citrus juice extractor ECM 230/50/1 UK

* Ask for special versions availability

SALES DESCRIPTION

Hand-operated citrus juice squeezer with an hourly output of up to 200 oranges.

For all types of establishments.

- ✓ Stainless steel body.
- ✓ Hand operated.
- ✓ Easy to use and clean.
- ✓ Durable.

OPTIONAL

- Outer stainless steel strainer Ø 14 mm.
- Stainless steel decanter.

ACCESSORIES

- Outer strainer
- Stainless steel decanter

SPECIFICATIONS

Production oranges/hour: 200
Total loading: 130 W

External dimensions (W x D x H)

- ✓ Width: 200 mm
- ✓ Depth: 280 mm
- ✓ Height: 340 mm

Noise level (1m.): 60 dB(A)
Background noise: 25 dB(A)
Net weight: 7 kg

Crated dimensions
300 x 300 x 445 mm
Gross weight: 9 kg



product sheet
updated 09/01/2025

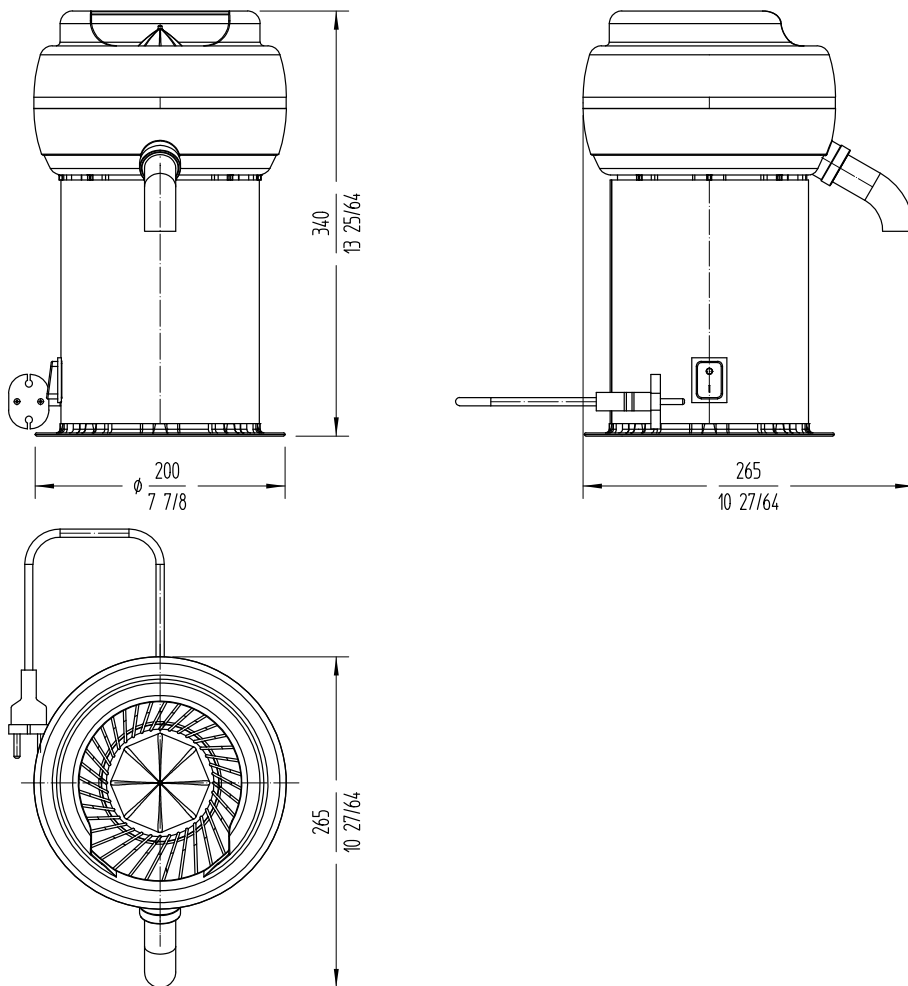


COMMERCIAL ORANGE JUICER ECM

Hand-operated citrus juice squeezer.



SNACK BAR-PIZZERIA
COMMERCIAL ORANGE JUICERS



sammic | www.sammic.com
Food Service Equipment Manufacturer
Polígono Basarte, 1. phone +34 943 15 72 36
20720 Azkoitia, Spain sales@sammic.com



Project	Date
Item	Qty
Approved	

product sheet
updated 09/01/2025