



# SOUP KETTLE OSI-10

Soup kettle to keep the temperature of soups or liquids. Stainless steel finish.



SNACK BAR-PIZZERIA  
SOUP KETTLES



## SALES DESCRIPTION

- ✓ Wet heat only.
- ✓ Stainless steel finish.

## SPECIFICATIONS

Dry heat: no

Bain-marie: yes

Capacity: 10 l

Total loading: 450 W

Maximum temperature: 95°C

Electrical supply: 230 V // 1~

### External dimensions (W x D x H)

✓ Width: 340 mm

✓ Depth: 340 mm

✓ Height: 340 mm

Net weight: 5.5 kg

## AVAILABLE MODELS

5200014 Soup kettle OSI-10 230/50-60/1

\* Ask for special versions availability



product sheet  
updated 09/01/2025

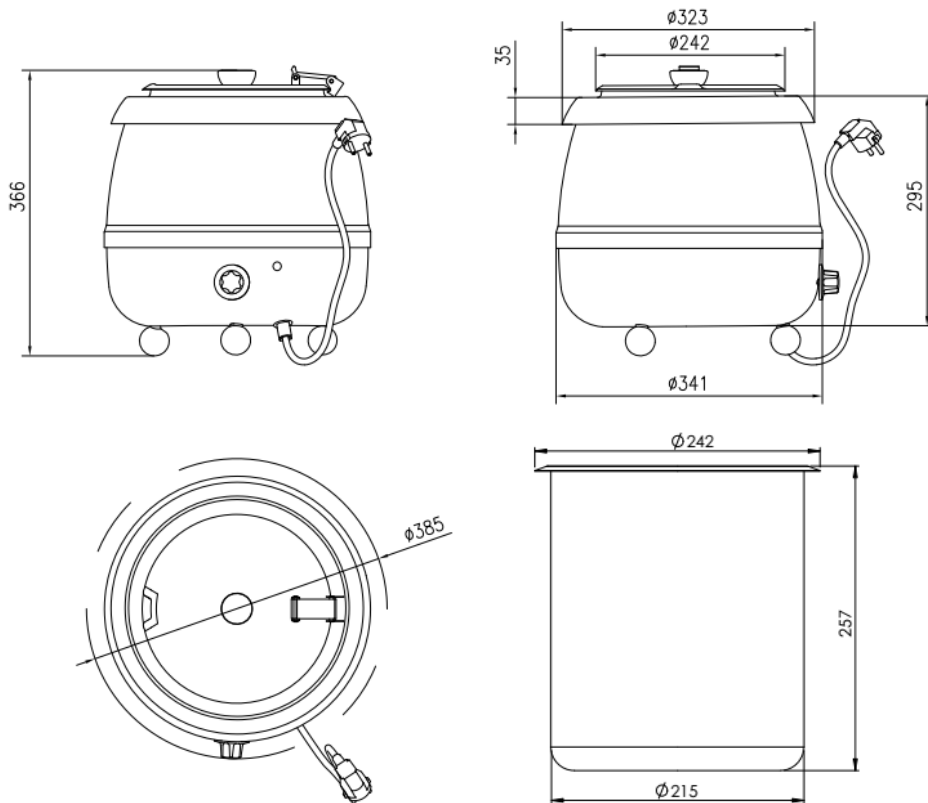


# SOUP KETTLE OSI-10

Soup kettle to keep the temperature of soups or liquids. Stainless steel finish.



SNACK BAR-PIZZERIA  
SOUP KETTLES



**sammic** | [www.sammic.com](http://www.sammic.com)  
Food Service Equipment Manufacturer

Polígono Basarte, 1. phone +34 943 15 72 36  
20720 Azkoitia, Spain [sales@sammic.com](mailto:sales@sammic.com)



Project	Date
Item	Qty
Approved	

product sheet  
updated 09/01/2025