



# POTATO PEELER PPC-12+

Output: 12 kg per cycle. Equipped with attachment drive to power accessories.



Plate speed: 317 rpm

Total loading: 550 W (1~) / 550 W (3~)

### External dimensions (W x D x H)

✓ Width: 395 mm

✓ Depth: 700 mm

✓ Height: 517 mm

### External dimensions with stand

✓ Width with stand: 411 mm

✓ Depth with stand: 700 mm

✓ Height with stand: 1090 mm

Net weight: 38 kg

**Noise level (1m.):** 70 dB(A)

**Background noise:** 32 dB(A)

### AVAILABLE MODELS

1000440 Potato peeler PPC-12+ 230-400/50/3 · 550 W

1000441 Potato peeler PPC-12+ 230/50/1 · 550W

1000442 Potato peeler PPC-12+ 220-380/60/3

1000443 Potato peeler PPC-12+ 220/60/1

1000446 Potato peeler PPC-12+ 440/60/3

\* Ask for special versions availability

## SALES DESCRIPTION

Aluminium made potato peeler.

**Aluminium body potato peeler. Abrasive peeling. The abrasive is highly resistant and long lasting.**

- ✓ Base Plate and chamber walls lined with abrasive.
- ✓ Aluminium body.
- ✓ Directable cylinder.
- ✓ Integral control panel complete with on/off push buttons and a 0-6 minute timer.

## INCLUDES

- ✓ Attachment drive to power accessories.

## OPTIONAL

- Stainless steel floor stand.
- Filter with no-foam feature.
- Vegetable preparation attachment CR-143.
- Potato masher attachment P-132.
- Meat mincer attachment HM-71.
- Water inlet kit (2003971).

## ACCESSORIES

- Vegetable preparation attachment CR-143
- Meat mincer attachment HM-71
- Potato masher attachment P-132
- Stands for potato peelers PP / PPC
- Filters for potato peelers PP / PPC

## SPECIFICATIONS

Hourly production: 220 kg / 300 kg

Capacity per load: 12 kg

Timer (min-max): 0' - 6'



DYNAMIC PREPARATION  
COMMERCIAL POTATO PEELERS

product sheet  
updated 10/12/2024

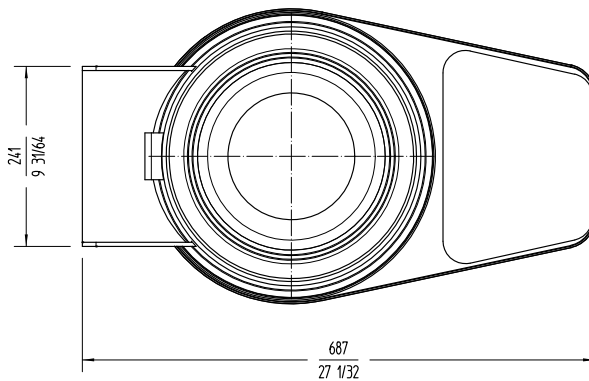
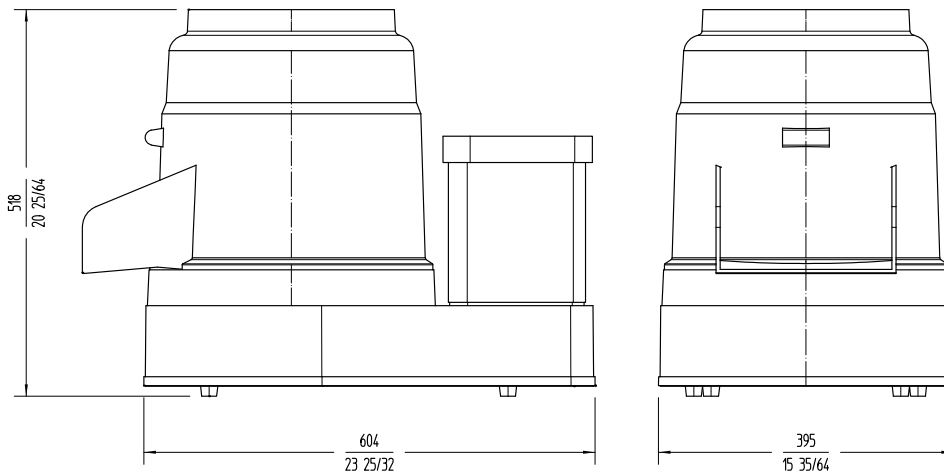


# POTATO PEELER PPC-12+

Output: 12 kg per cycle. Equipped with attachment drive to power accessories.



DYNAMIC PREPARATION  
COMMERCIAL POTATO PEELERS



[www.sammic.co.uk](http://www.sammic.co.uk)

Food Service Equipment Manufacturer

Unit 2, Trevanth Road  
Troon Industrial Park  
LE4 9LS - Leicester

[uksales@sammic.com](mailto:uksales@sammic.com)  
Tel.: +44 0116 246 1900



Project

Date

Item

Qty

Approved

product sheet  
updated 10/12/2024