



# VACUUM SEALER SU-316

Tabletop model. 16 m<sup>3</sup>/h. 320 mm.



## SALES DESCRIPTION

320 mm. sealing bar.  
16 m<sup>3</sup>/h Busch vacuum pump.  
Vacuum controlled by sensor.

- ✓ Powered by Busch.
- ✓ Vacuum controlled by sensor.
- ✓ Vacuum PLUS.
- ✓ LCD colour screen: all information at a glance.
- ✓ Backlit touch keyboard.
- ✓ Programmable: 25-programme memory. Blocking option.
- ✓ "Pause" button.
- ✓ Phased vacuum programme.
- ✓ Detection of the evaporation of liquids.
- ✓ Double seal.
- ✓ Cordless sealing bar.
- ✓ Progressive decompression.
- ✓ Vac-Norm ready with Automatic decompression.
- ✓ Stainless steel body and chamber. Deep-drawn chamber.
- ✓ Damped transparent lid of high durability polycarbonate.
- ✓ Dry-oil programme for drying the pump.
- ✓ Working hours counter for oil changes.
- ✓ Safety system with protection against vacuum failure.
- ✓ NSF-listed model.

## INCLUDES

- ✓ BUSCH pump.
- ✓ Sensor controls.
- ✓ Programmable.
- ✓ Vacuum PLUS: up to 10 seconds of extra vacuum pull.
- ✓ Soft air function.
- ✓ Clear methacrylate lid.
- ✓ "PAUSE" function.
- ✓ Liquid detection system.
- ✓ Dry oil cycle.
- ✓ NSF approved.
- ✓ Filling plate.

## OPTIONAL

- Inert gas
- Sealing plus
- Printer
- Wireless connectivity
- Vacuum packing bags
- External vacuum kit for Vac-Norm, containers and accessories
- Support for liquid packaging
- Additional filling plates

## ACCESSORIES

- Filling plates
- Liquid insert plates
- Vac-norm external vacuum kits
- Vac-norm containers
- Smooth bags for vacuum packing
- Trolley for vacuum packing
- machines
- Thermal labels for CG2 / RB printer
- RB desktop printer for SU vacuum packing machines
- Thermal transfer labels for RB printer

## SPECIFICATIONS

Pump capacity: 16 m<sup>3</sup>/h

Pump capacity (60 Hz): 19 m<sup>3</sup>/h

Bar length: 320 mm

Vacuum pressure (maximum): 2 mbar

### Internal dimensions

- ✓ Width: 330 mm
- ✓ Depth: 360 mm
- ✓ Height: 155 mm

### External dimensions (W x D x H)

- ✓ Width: 384 mm
- ✓ Depth: 465 mm
- ✓ Height: 403 mm

Noise level (1m.): 75 dB(A)

Background noise: 32 dB(A)

## AVAILABLE MODELS

1140744 SU-316P 230/50-60/1

1140746 SU-316P+ 230/50-60/1

1140747 SU-316GP 230/50-60/1

1140749 SU-316GP+ 230/50-60/1

1140755 SU-316P+ 120/50-60/1

1140758 SU-316GP+ 120/50-60/1

\* Ask for special versions availability



FOOD PRESERVATION AND SOUS-VIDE  
VACUUM PACKING MACHINES • SENSOR ULTRA LINE

product sheet  
updated 15/03/2024

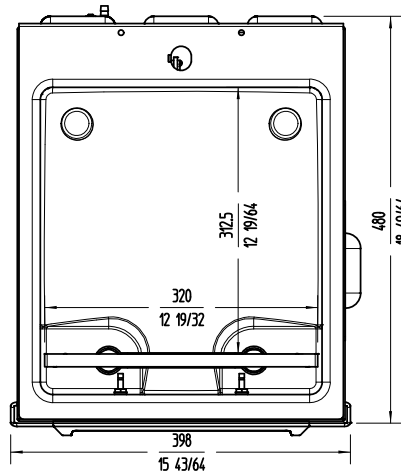
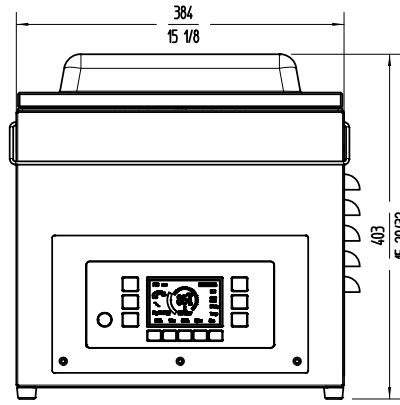
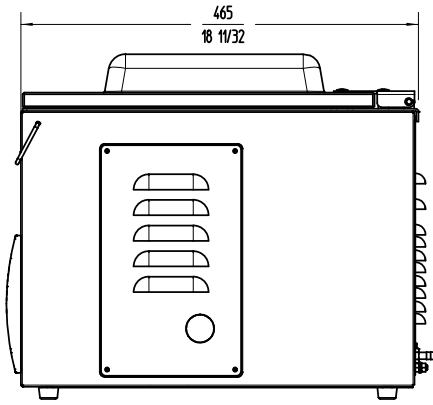


# VACUUM SEALER SU-316

Tabletop model. 16 m<sup>3</sup>/h. 320 mm.



FOOD PRESERVATION AND SOUS-VIDE  
VACUUM PACKING MACHINES • SENSOR ULTRA LINE



**sammic** | [www.sammic.com](http://www.sammic.com)  
Food Service Equipment Manufacturer  
Polígono Basarte, 1. phone +34 943 15 72 36  
20720 Azkoitia, Spain sales@sammic.com



Project	Date
Item	Qty
Approved	

product sheet  
updated 15/03/2024