



# PLANETARY MIXER BE-10

Table-top model with 10 l / qt bowl.



DYNAMIC PREPARATION  
PLANETARY MIXERS



## SALES DESCRIPTION

“C” models, equipped with attachment drive for accessories.

**Professional food mixer for preparing dough (bread, cake...), egg whites (soufflés, meringue...), sauces (mayonaisse...) and minced meat mixtures.**

- ✓ Powerful three-phase motor controlled by highly reliable electronic speed variator technology, which enables the mixers to be connected to a single-phase electrical mains supply.
- ✓ 0-30 minute electronic timer and continuous operation option.
- ✓ Acoustic alarm at end of cycle.
- ✓ Electronic speed control.
- ✓ Equipped with a safety guard.
- ✓ Lever operated bowl lift.
- ✓ Double micro switch for bowl position and safety guard.
- ✓ Safeties off indicator.
- ✓ Reinforced waterproofing system.
- ✓ Stainless steel legs.
- ✓ Strong and resistant bowl.
- ✓ Easy to maintain and repair.
- ✓ UNE-EN 454/2015 compliant.

## INCLUDES

- ✓ Stainless steel bowl.
- ✓ Beater spatula for soft dough.
- ✓ Spiral hook for heavy dough.
- ✓ Balloon whisk.

## OPTIONAL

- Attachment drive for accessories.

## ACCESSORIES

- Vegetable preparation attachment CR-143
- Meat mincer attachment HM-71
- Potato masher attachment P-132
- Bowls for planetary mixers

## SPECIFICATIONS

Bowl capacity: 10 l  
 Bowl dimensions: 279 mm x 236 mm  
 Capacity in flour (60% water): 3 kg  
 Timer (min-max): 0' - 30'  
 Tool speed: 96 - 289 rpm  
 Planetary speed: 59 - 176 rpm  
 Total loading: 550 / 750 W

### External dimensions (W x D x H)

- ✓ Width: 410 mm
  - ✓ Depth: 523 mm
  - ✓ Height: 688 mm
- Net weight: 44 kg  
 Noise level (1m.): <75 dB(A)  
 Background noise: 32 dB(A)

### Crated dimensions

480 x 560 x 810 mm  
 Gross weight: 49 kg

## AVAILABLE MODELS

1500210	Food mixer BE-10 230/50-60/1
1500211	Food mixer BE-10C 230/50-60/1
1500214	Food mixer BE-10 208-240/50-60/1
1500215	Food mixer BE-10 120/50-60/1
1500216	Food mixer BE-10C 120/50-60/1
1500217	Food mixer BE-10 400-440/50-60/3
1500218	Food mixer BE-10C 400-440/50-60/3

\* Ask for special versions availability



product sheet  
updated 09/07/2024

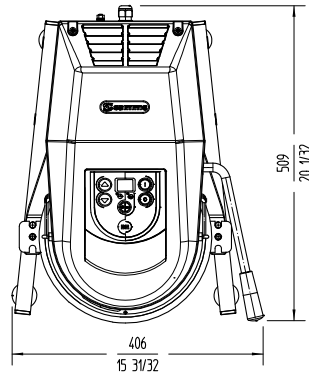
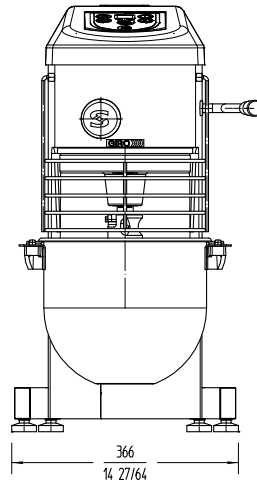
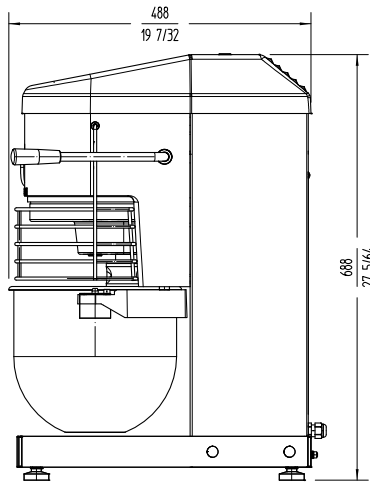


# PLANETARY MIXER BE-10

Table-top model with 10 l / qt bowl.



DYNAMIC PREPARATION  
PLANETARY MIXERS



**sammic** | [www.sammic.com](http://www.sammic.com)  
Food Service Equipment Manufacturer

Polígono Basarte, 1. phone +34 943 15 72 36  
20720 Azkoitia, Spain [sales@sammic.com](mailto:sales@sammic.com)



Project	Date
---------	------

Item	Qty
------	-----

Approved	
----------	--

product sheet  
updated 09/07/2024