



POTATO PEELER PP-6+

Output: 6 kg per cycle.



- ✓ Width with stand: 411 mm
 - ✓ Depth with stand: 700 mm
 - ✓ Height with stand: 1020 mm
- Net weight: 37 kg

Noise level (1m.): 70 dB(A)
Background noise: 32 dB(A)

AVAILABLE MODELS

1000410	Potato peeler PP-6+ 230-400/50/3 · 370 W
1000411	Potato peeler PP-6+ 230/50/1 · 400 W
1000412	Potato peeler PP-6+ 220-380/60/3
1000413	Potato peeler PP-6+ 220/60/1
1000414	Potato peeler PP-6+ 120/60/1
1000417	Potato peeler PP-6+ 440/60/3

* Ask for special versions availability

SALES DESCRIPTION

Aluminium made potato peeler.

Aluminium body potato peeler. Abrasive peeling. The abrasive is highly resistant and long lasting.

- ✓ Base Plate and chamber walls lined with abrasive.
- ✓ Aluminium body.
- ✓ Directable cylinder.
- ✓ Integral control panel complete with on/off push buttons and a 0-6 minute timer.

OPTIONAL

- Stainless steel floor stand.
- Water inlet kit (2003971).
- Filter with no-foam feature.

ACCESSORIES

- Stands for potato peelers PP / PPC
- Filters for potato peelers PP / PPC

SPECIFICATIONS

Hourly production: 120 kg / 150 kg
 Capacity per load: 6 kg
 Timer (min-max): 0' - 6'
 Plate speed: 317 rpm
 Total loading: 400 W (1~) / 370 W (3~)

External dimensions (W x D x H)

- ✓ Width: 395 mm
- ✓ Depth: 700 mm
- ✓ Height: 447 mm

External dimensions with stand



DYNAMIC PREPARATION
COMMERCIAL POTATO PEELERS

product sheet
updated 10/12/2024

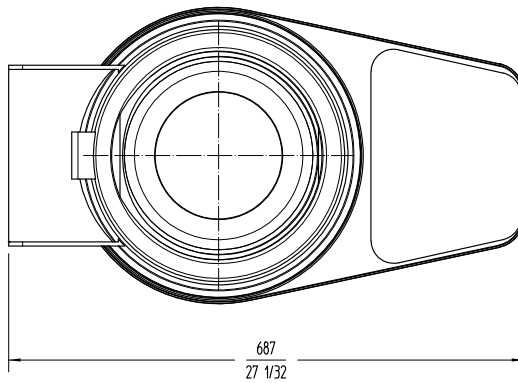
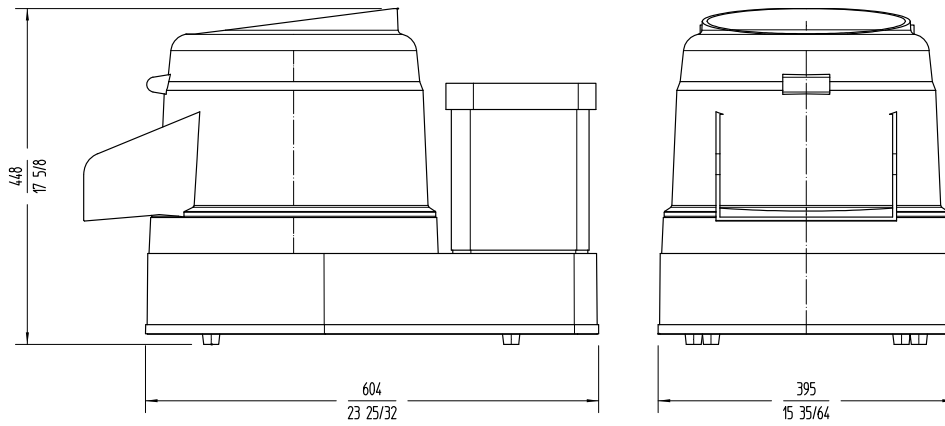


POTATO PEELER PP-6+

Output: 6 kg per cycle.



DYNAMIC PREPARATION
COMMERCIAL POTATO PEELERS



www.sammic.co.uk

Food Service Equipment Manufacturer

Unit 2, Trevanah Road
Troon Industrial Park
LE4 9LS - Leicester

uksales@sammic.com
Tel.: +44 0116 246 1900



Project	Date
Item	Qty
Approved	

product sheet
updated 10/12/2024