



# VACUUM SEALER SE-606

Floorstanding unit. 63 m<sup>3</sup>/h. 413+656 mm.



FOOD PRESERVATION AND SOUS-VIDE  
VACUUM PACKING MACHINES • SENSOR LINE



## SALES DESCRIPTION

Two sealing bars (413+656 mm.)  
63 m<sup>3</sup>/h Busch vacuum pump.  
Vacuum controlled by sensor.

- ✓ Powered by Busch.
- ✓ Vacuum controlled by sensor.
- ✓ Vacuum PLUS.
- ✓ Digital keyboard.
- ✓ Control panel equipped with display indicating the exact vacuum percentage.
- ✓ "Pause" button to marinate food.
- ✓ Safe liquid packing thanks to sensor control.
- ✓ Double seal.
- ✓ Cordless sealing bar.
- ✓ Bag-sealing programme.
- ✓ Pulse-controlled decompression.
- ✓ Vac-Norm ready with Automatic decompression.
- ✓ Stainless steel body and chamber.
- ✓ Damped transparent lid.
- ✓ Dry-oil programme for drying the pump.
- ✓ Working hours counter for oil changes.
- ✓ Safety system with protection against vacuum failure.
- ✓ NSF-listed.

## INCLUDES

- ✓ Sensor controls
- ✓ Up to 10 seconds of extra vacuum pull
- ✓ Soft air function
- ✓ Dry oil cycle
- ✓ BUSCH pump
- ✓ NSF approved
- ✓ Clear methacrylate lid
- ✓ Filling plate

## OPTIONAL

- Vacuum packing bags
- External vacuum kit for Vac-Norm, containers and accessories
- Bag cutting kit
- Support for liquid packaging
- Additional filling plates

## ACCESSORIES

- Bag cutting kits
- Filling plates
- Liquid insert plates
- Vac-norm external vacuum kits
- Vac-norm containers
- Smooth bags for vacuum packing

## SPECIFICATIONS

Pump capacity: 63 m<sup>3</sup>/h  
 Pump capacity (60 Hz): 75 m<sup>3</sup>/h  
 Bar length: 413 mm + 656 mm  
 Total loading: 1500 W  
 Vacuum pressure (maximum): 0.5 mbar

### Internal dimensions

- ✓ Width: 672 mm
- ✓ Depth: 481 mm
- ✓ Height: 200 mm

### External dimensions (W x D x H)

- ✓ Width: 740 mm
- ✓ Depth: 566 mm
- ✓ Height: 997 mm

Net weight: 159 kg

Noise level (1m.): 75 dB(A)  
 Background noise: 32 dB(A)

### Crated dimensions

670 x 830 x 1200 mm  
 Gross weight: 196.8 kg

## AVAILABLE MODELS

1140662	SE-606 230-400/50/3N
1140668	SE-606 208-240V/60/3
1140674	SE-606 230V/50/1
1140666	SE-606 380/60/3N

\* Ask for special versions availability



product sheet  
updated 13/05/2024

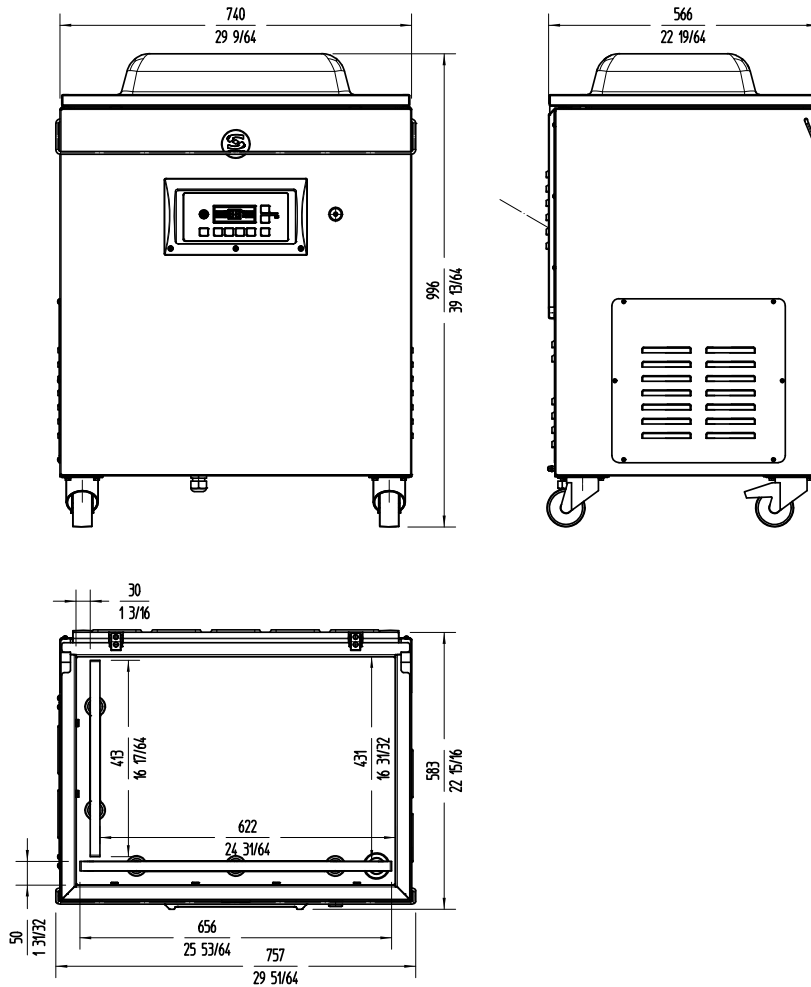


# VACUUM SEALER SE-606

Floorstanding unit. 63 m<sup>3</sup>/h. 413+656 mm.



FOOD PRESERVATION AND SOUS-VIDE  
VACUUM PACKING MACHINES · SENSOR LINE



**sammic** | www.sammic.com  
Food Service Equipment Manufacturer

Polígono Basarte, 1. phone +34 943 15 72 36  
20720 Azkoitia, Spain sales@sammic.com



Project	Date
Item	Qty
Approved	

product sheet  
updated 13/05/2024