



PEELER & SALAD DRYER PES-20

2 in 1: potato peeler & salad dryer.



DYNAMIC PREPARATION
COMMERCIAL POTATO PEELERS

SALES DESCRIPTION

- ✓ As potato peeler: 20 kg load per cycle.
- ✓ As salad dryer: 2 kg load per cycle (20 kg/h) capacity.
- ✓ Usable volume: 19.5 litres.

One machine, two functions

- ✓ Potato peeler manufactured in stainless steel.
- ✓ Aluminium base plate lined with silicon carbide abrasive (approved by NSF), easily removable for cleaning purposes.
- ✓ Water inlet system with non-return air break.
- ✓ Watertight controls (IP65).
- ✓ Lifiable cover.
- ✓ As salad dryer: Capacity: 2 Kg per cycle (20 Kg/h). Volume: 19.5 litres.

INCLUDES

- ✓ Abrasive plate.
- ✓ Drying basket.

OPTIONAL

- Stainless steel floor stand.
- Knife plate.
- Filter with no-foam feature.

ACCESSORIES

- Knife plate for PES-20
- Filters for potato peelers M / PI / PES
- Stands for potato peelers
- Plastic basket set

SPECIFICATIONS

Peeler function

- ✓ Hourly production: 300 kg
- ✓ Capacity per load: 20 kg
- ✓ Capacity per operation (lettuces): 2-3
- ✓ Equipment: abrasive plate: 1

Draining function

- ✓ Drainer hourly production: 20 kg
- ✓ Production/hour (salad spinner): 19.5 l
- ✓ Draining basket: 1

General features

- ✓ Timer (min-max): 0' - 6'
- ✓ Total loading: 550 W

External dimensions (W x D x H)

- ✓ Width: 433 mm
- ✓ Depth: 635 mm
- ✓ Height: 786 mm

External dimensions with stand

- ✓ Width with stand: 433 mm
- ✓ Depth with stand: 638 mm
- ✓ Height with stand: 1155 mm

Net weight: 39 kg

Noise level (1m.): <70 dB(A)

Background noise: 32 dB(A)

AVAILABLE MODELS

1000670	Potato peeler-salad drier PES-20 230-400/50/3N
1000671	Potato peeler-salad drier PES-20 230/50/1
1000672	Potato peeler-salad drier PES-20 220-380/60/3N
1000673	Potato peeler-salad drier PES-20 220/60/1
1000676	Potato peeler-salad drier PES-20 120/60/1
1000995	Potato peeler-salad drier PES-20 230-400/50/3N
1000996	Potato peeler-salad drier PES-20 230/50/1

* Ask for special versions availability



product sheet
updated 09/01/2025

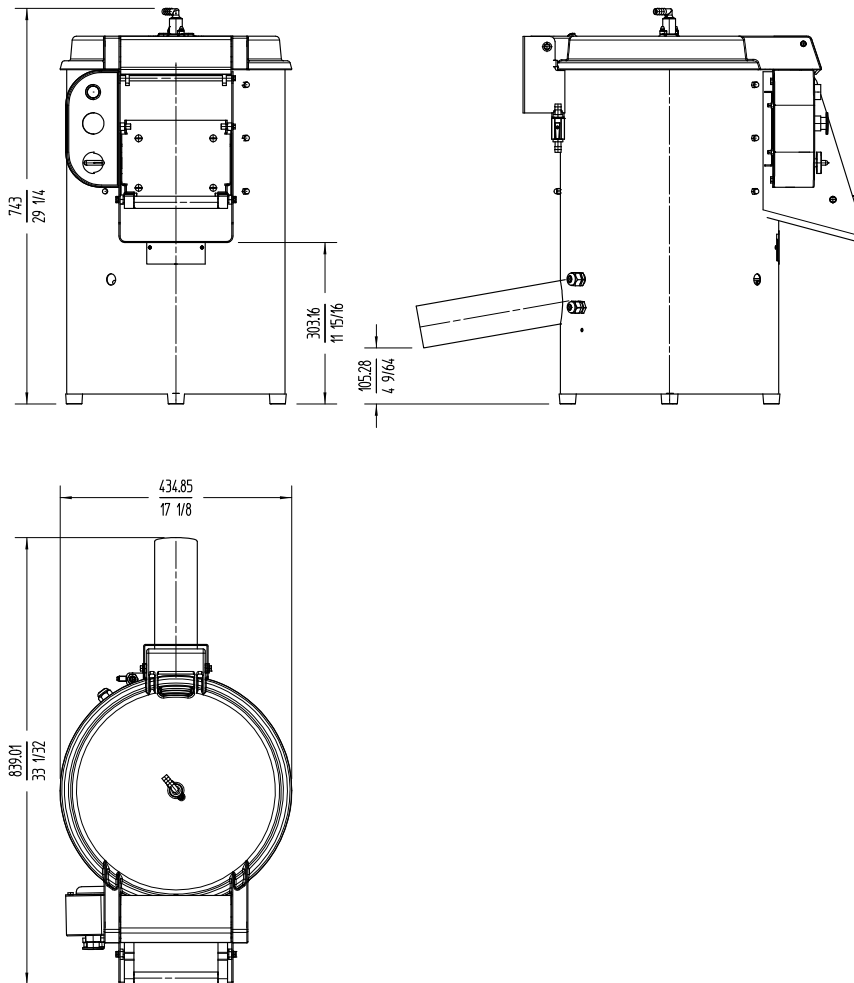


PEELER & SALAD DRYER PES-20

2 in 1: potato peeler & salad dryer.



DYNAMIC PREPARATION
COMMERCIAL POTATO PEELERS



www.sammic.co.uk

Food Service Equipment Manufacturer

Unit 2, Trevanah Road
Troon Industrial Park
LE4 9LS - Leicester

uksales@sammic.com
Tel.: +44 0116 246 1900



Project	Date
Item	Qty

Approved

product sheet
updated 09/01/2025